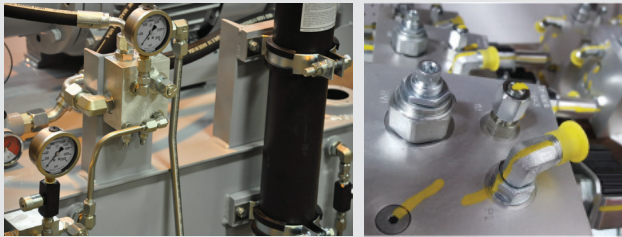


ENGINEERING SERVICES



ENGINEERING
YOUR EVERY
FLUID POWER NEED



ENGINEERING SERVICES

HYDRAULIC | PNEUMATIC | SUPPORT
AIR LOGIC | DESIGN | AUTONOMOUS CONTROL

Hyspeco Inc.
1729 S. Sabin St.
Wichita, KS 67209

Toll Free: (800) 234-1041
Email: quotes@hyspeco.com

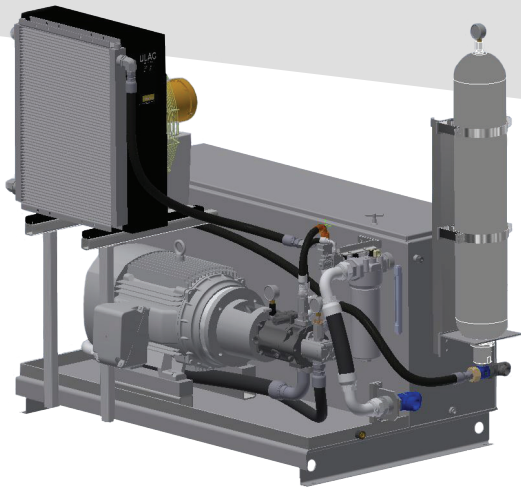
www.Hyspeco.com



EMPLOYEE OWNED

From Concept to Finished Product

DESIGN GUIDANCE



Our Engineers swiftly and effectively usher your concept through to a finished product, all while answering any needed questions and updating you on the design/build process. With over 85 years of combined experience, we have the knowledge to specify the technical details that your project requires and are here to support you in the detailed build of your custom fabrication project.

Below are a few component integration examples:

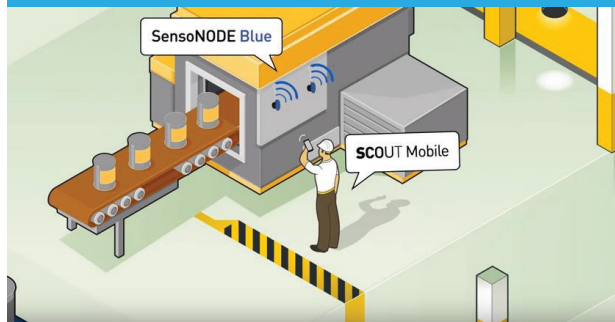
- Particle Counters
- Electric Motors
- Couplings
- Valves
- Accumulators
- Cooling Systems
- Filtration
- Analog Gauges
- Machine Monitoring
- Logic Controls
- Transducers
- Touchscreen Interface
- Hydraulic Reservoirs
- Weld Feet
- Custom Brackets
- Relief Circuitry
- Pump Adapters
- Trouble Shooting



Our ability to integrate program logic controllers, Delta motion control components

and touchscreen displays to your application opens up a wide range of autonomous control abilities. We can integrate remote control options into your custom designs, allowing for machine monitoring, data logs and control of the machine from almost any smart mobile device.

DRIVING INNOVATION



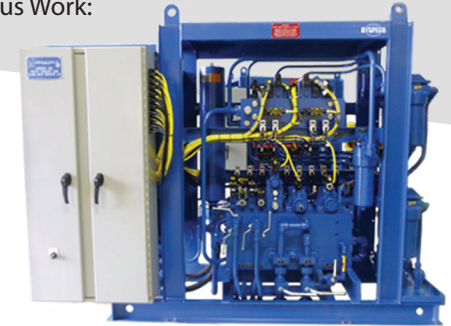
The Parker SensoNode is the perfect technology for condition monitoring and predictive maintenance. The SensoNode identifies issues before they escalate by catching machine performance fluctuations and recording them in real time while accurately storing trends. This technology allows us to understand condition changes that may force your machinery to work harder.

- Reduce Machine Downtime
- Decrease Maintenance Costs
- Increase Machine Life

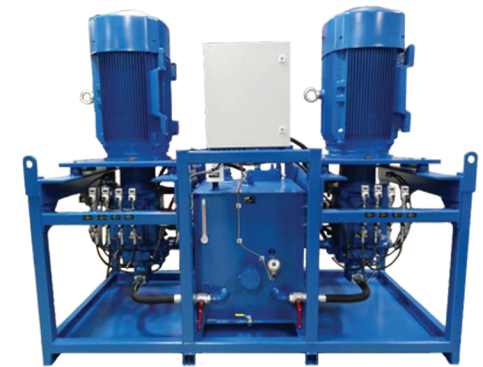


Hyspeco built HPU's are backed by quality Parker technology. Our units arrive as a turn key system with labeled fittings, ready to integrate.

Previous Work:



UNIT: Steel Casting Valve Rack
PRIMARY FLOW: Approximately 300 GPM
WORKING PRESSURE: 2,000 - 3,000 PSI
PURPOSE: This valve stand modulates the flow of molten steel during the steel casting process



UNIT: Shredder
COMBINED PRIMARY FLOW: 320 GPM
WORKING PRESSURE: 5,000 PSI
PURPOSE: This closed-loop system powers a material shredder for process testing of various materials.

For more specific information call (800) 234-1041 or visit www.Hyspeco.com

